

C 880584

DO NOT SCALE  
DIMENSIONS IN

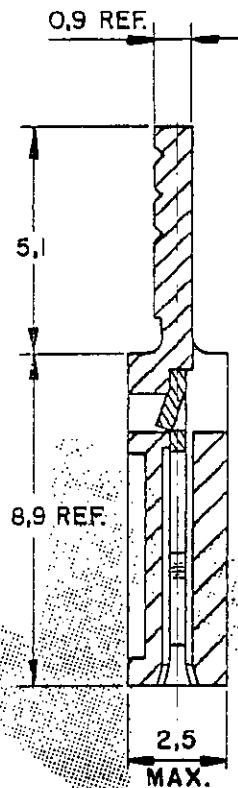
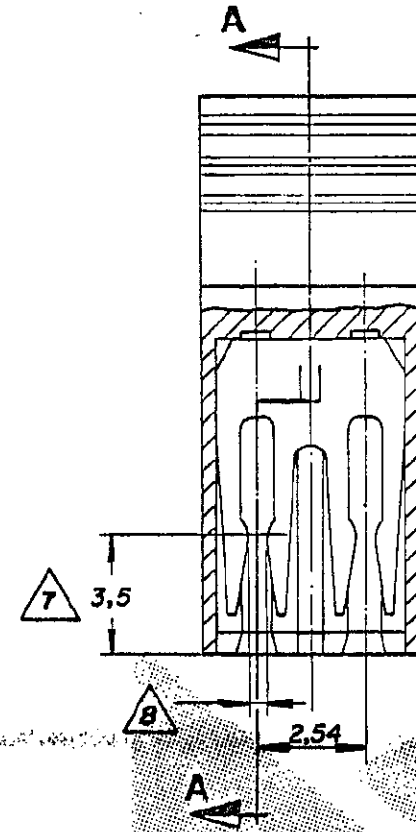
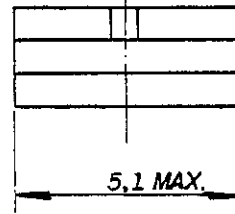
METRIC

3rd ANGLE PROJECTION

ATENÇÃO

Este desenho esta sob o controle das especificações nos. 102-23 e 102-55. Toda e qualquer alteração, antes de ser processada, deverá ser comunicada aos clientes envolvidos, através dos procedimentos atuais.

Ver pasta "Notificação ao Cliente"



SECCÃO A-A

NOTAS :

NOTES :

- 1 MATERIAL: HOUSING: TERMOPLASTICO C/ FIBRA DE VIDRO V-0 COR: PRETO  
CONTATO: BRONZE FOSFOROSO  
MATERIAL: HOUSING: THERMOPLASTIC WITH GLASS FIBER V-0 COLOR: BLACK  
CONTACT: PHOSPHOROUS BRONZE
- 2 MATERIAL: HOUSING: TERMOPLASTICO C/ FIBRA DE VIDRO HB COR: NATURAL  
CONTATO: BRONZE FOSFOROSO  
MATERIAL: HOUSING: THERMOPLASTIC WITH GLASS FIBER HB COLOR: NATURAL  
CONTACT: PHOSPHOROUS BRONZE
- 3 0,38 µm. MIN. OURO NA AREA DE CONTATO, SOBRE BANHO 0,76 µm NIQUEL  
0,38 µm. MIN. GOLD ON CONTACT AREA, 0,76 µm NIQUEL UNDERPLATING
- 4 0,76 µm. MIN. OURO NA AREA DE CONTATO, SOBRE BANHO 0,76 µm NIQUEL  
0,76 µm. MIN. GOLD ON CONTACT AREA, 0,76 µm NIQUEL UNDERPLATING
- 5 1,27 µm. MIN. OURO NA AREA DE CONTATO, SOBRE BANHO 0,76 µm NIQUEL  
1,27 µm. MIN. GOLD ON CONTACT AREA, 0,76 µm NIQUEL UNDERPLATING
- 6 ESTANHO SOBRE NIQUEL  
TIN UNDER NICKEL
- 7 PONTO DE CONTATO P/ MEDIÇÃO DA CAMADA DE OURO  
CONTACT POINT FOR GOLD PLATING MEASUREMENT
- 8 ACEITA PINO QUADRADO 0,64 x 0,64 OU REDONDO Ø 0,64  
ALLOW SQUARE PIN 0,64 x 0,64 OR ROUND Ø 0,64
- 9 MATERIAL: HOUSING: TERMOPLASTICO C/ FIBRA DE VIDRO COR VERMELHO, V-2  
CONTATO: BRONZE FOSFOROSO  
MATERIAL: HOUSING: THERMOPLASTIC WITH GLASS FIBER COLOR RED; V-2  
CONTACT: PHOSPHOROUS BRONZE

3	10	L	2 - 880584	- 1
6	9			- 9
6				- 8
5				- 7
4				- 6
3	2			- 5
6				- 4
5				- 3
4				- 2
3	1	K1	880584	- 1

OTHER TREATMENT	FINISH	MATERIAL	PART REV.	PART NUMBER
-----------------	--------	----------	-----------	-------------

CUSTOMER DWG  
for REFERENCE ONLY

THIS DRAWING IS UNPUBLISHED RELEASED FOR PUBLICATION  
© COPYRIGHT 19 BY AMP DO BRASIL LTDA S.P. ALL INTERNATIONAL RIGHTS  
RESERVED AMP PRODUCTS MAY BE COVERED BY U.S. AND FOREIGN PATENTS AND/OR PATENTS PENDING.

TOLERANCES UNLESS OTHERWISE STATED  
INS. DIA. RANGE WIRE RANGE SCALE  
DEC. ± 0,3 ANGLES ± 1°

AMP AMP do BRASIL LTDA.  
São Paulo, Brasil

ISS	REVISION	RECORD	ECN	CHK	DATE
L	REVISED BY ECN	300198	Handwritten	Handwritten	07-08-88
K1	REVISED BY ECN	2628	Handwritten	Handwritten	24-03-91
K	ACRESL. TRACO - 9	2561	ALEX	Handwritten	19-04-91
J	REVISED BY ECN	1720	Handwritten	Handwritten	06-08-88

ISS	REVISION	RECORD	DR	CHK	DATE
H	ELIM. FUROS NO HOUSING	Handwritten	Handwritten	Handwritten	01-06-88
G	Mudando nota B	Handwritten	Handwritten	Handwritten	09-02-88
F	ACRESCIMO FOLHA B de B	Handwritten	Handwritten	Handwritten	06-03-88
E	REV. DIM. 3.5 ERA 2.0	Handwritten	Handwritten	Handwritten	21-01-86
D	REV. do PROD. P/ PC. SOLTA	Handwritten	Handwritten	Handwritten	16-10-85
C	REV. da GRAVACAO AMP	Handwritten	Handwritten	Handwritten	10-10-85
B	REV. CONFIGURACAO	Handwritten	Handwritten	Handwritten	08-04-85
A	ERA P-84-29192	Handwritten	Handwritten	Handwritten	13-11-84
D	REV. CONFIGURACAO	Handwritten	Handwritten	Handwritten	9-10-84

DESCRIPTION ..  
AMP SHUNT CONNECTOR ASS'Y  
DWG NO  
A3 C 880584  
SHEET 10/2

DO NOT SCALE  
DIMENSIONS IN mm

**METRIC**



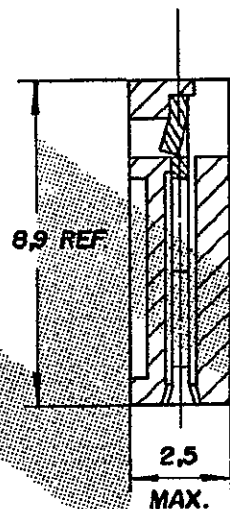
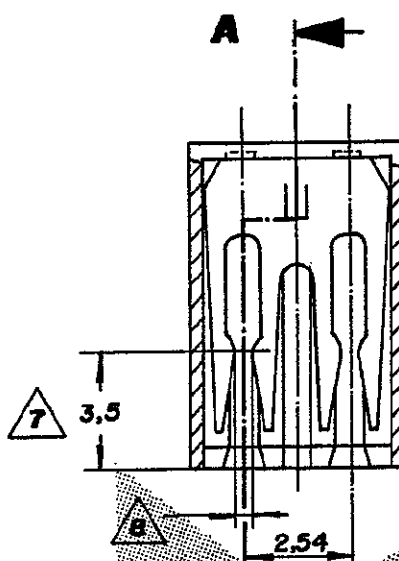
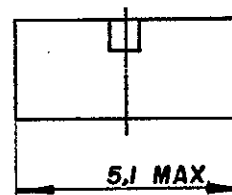
10 MATERIAL: HOUSING: TERMOPLASTICO C/ FIBRA DE VIDRO V-2 COR: VERDE  
CONTATO: BROZE FOSFOROSO

MATERIAL: HOUSING: THERMOPLASTIC WITH GLASS FIBER V-2 COLOR: GREEN  
CONTACT: PHOSPHOROUS BRONZE

**ATENÇÃO**

Este desenho esta sob o controle das especificações nos. 102-23 e 102-55. Toda e qualquer alteração, antes de ser processada, deverá ser comunicada aos clientes envolvidos, através dos procedimentos atuais.

Ver pasta "Notificação ao Cliente"



**SECÇÃO A-A**

**PRELIMINAR**

6			1 -	-8
5			1 -	-7
4			1 -	-6
3		2	1 -	-5
6			1 -	-4
5			1 -	-3
4			1 -	-2
3			1 -	-1
		K1	1 -	880584

OTHER TREATMENT	FINISH	MATERIAL	PART REV.	PART NUMBER
CUSTOMER DWG for REFERENCE ONLY				
THIS DRAWING IS UNPUBLISHED RELEASED FOR PUBLICATION 19				
© COPYRIGHT 1987 BY AMP DO BRASIL LTDA S.P. ALL INTERNATIONAL RIGHTS RESERVED AMP PRODUCTS MAY BE COVERED BY U.S. AND FOREIGN PATENTS AND/OR PATENTS PENDING.				
TOLERANCES UNLESS OTHERWISE STATED DEC. ± 0.8 ANGLES ± 1°		INS. DIA. RANGE	WIRE RANGE	SCALE
DR. <i>Esposito</i> 06-MAR-87		AMP do BRASIL LTDA. São Paulo, Brasil		
CHK. <i>W. Silva</i> 09-MAR-87		DESCRIPTION AMP SHUNT CONNECTOR ASS'Y		
APP. <i>[Signature]</i> 09-MAR-87		A3 DWG NO C 880584		SHEET 2 of 2
ISS	REVISION RECORD	DR	CHK	DATE

SEE SHEET 1 OF 2